

**2.56:1 Impedance Ratio Center Tapped Transformer  
5-65 MHz**

**MABA-007902-CF38A0  
V1P**

**Features**

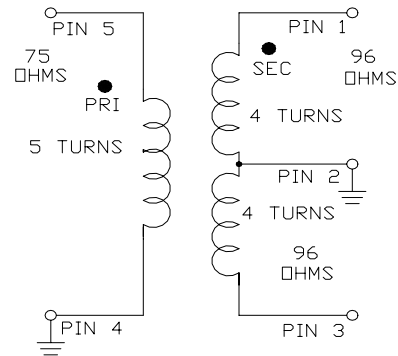
- Surface Mount
- 2.56:1 Impedance
- 260°C Reflow Compatible
- RoHS\* Compliant
- RoHS version of MABAES0017
- Available on Tape and Reel. Reel quantity 2000

**Description**

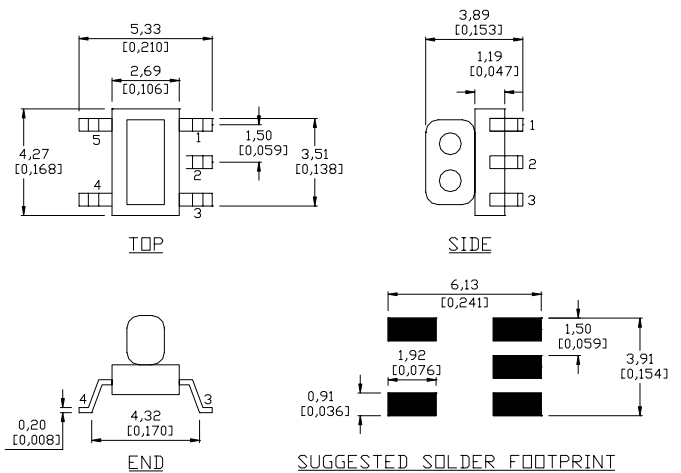
M/A-COM's MABA-007902-CF38A0 is a 2.56:1 RF flux coupled step up transformer in a low cost, surface mount package. Ideally suited for high volume CATV/Broadband applications.



**Schematic**



**Case Style: SM-138**



Dimensions in mm [inches] Tolerance: .xx ± .02, .xxx ± .010

**Pin Configuration**

Pin No.	Function
1	Secondary Dot
2	Centre Tap
3	Secondary
4	Primary
5	Primary Dot

**Ordering Information**

Part Number	Package
MABA-007902-CF38A0	2000 piece reel
MABA-007902-CF38TB	Customer Test Board

Note: Reference Application Note **M513** for reel size information.

\* Restrictions on Hazardous Substances, European Union Directive 2002/95/EC.

1

M/A-COM Inc. and its affiliates reserve the right to make changes to the product(s) or information contained herein without notice. M/A-COM makes no warranty, representation or guarantee regarding the suitability of its products for any particular purpose, nor does M/A-COM assume any liability whatsoever arising out of the use or application of any product(s) or information.

- **North America** Tel: 800.366.2266 / Fax: 978.366.2266
- **Europe** Tel: 44.1908.574.200 / Fax: 44.1908.574.300
- **Asia/Pacific** Tel: 81.44.844.8296 / Fax: 81.44.844.8298

Visit [www.macom.com](http://www.macom.com) for additional data sheets and product information.

2.56:1 Impedance Ratio Center Tapped Transformer  
5-65 MHz

MABA-007902-CF38A0  
V1P

**Electrical Specifications:  $T_A = 25^\circ\text{C}$ ,  $Z_0 = 75\Omega$**

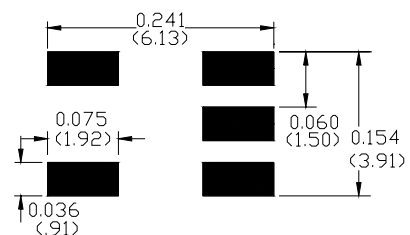
Parameter	Test Conditions	Units	Min	Typ	Max
Insertion Loss	5 - 65 MHz	dB	-	0.8	1.0
Amplitude Unbalance (Nominal 0dB)	5 - 65 MHz	dB	-	$\pm 0.02$	$\pm 0.1$
Phase Unbalance (Nominal 180°)	5 - 65 MHz	°	-	$\pm 0.2$	$\pm 1.0$

**Absolute Maximum Ratings <sup>1,2</sup>**

Parameter	Absolute Maximum
RF Power	250mW
DC current	30mA
Operating Temperature	-40°C to +85°C
Storage Temperature	-40°C to +85°C

1. Exceeding any one or combination of these limits may cause permanent damage to this device.
2. M/A-COM does not recommend sustained operation near these survivability limits.

**Recommended PCB Configuration**

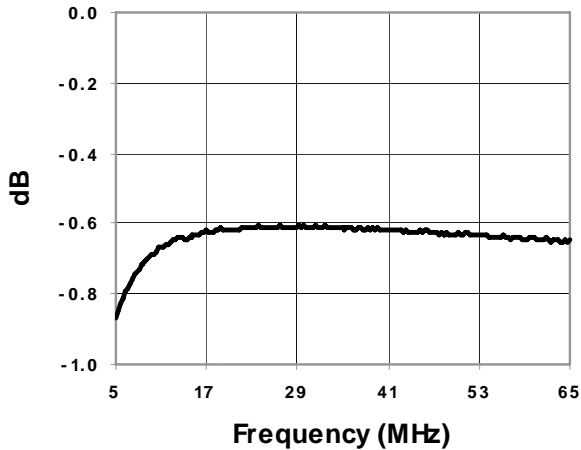


2.56:1 Impedance Ratio Center Tapped Transformer  
5-65 MHz

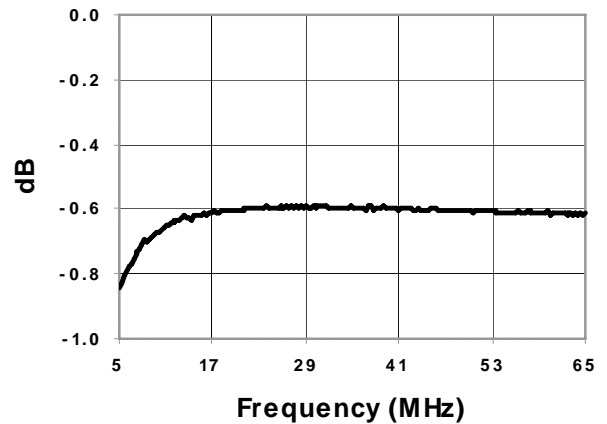
MABA-007902-CF38A0  
V1P

Typical Performance Curves:  $T_A = 25^\circ\text{C}$ ,  $Z_0 = 75\Omega$

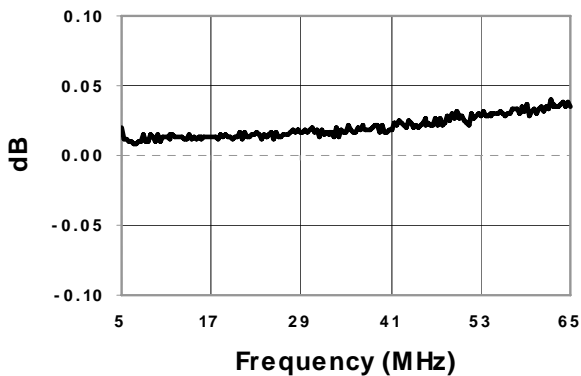
Insertion Loss 1 (pin 5 to pin 3)



Insertion Loss 2 (pin 5 to pin 1)



Amplitude Unbalance



Phase Balance

